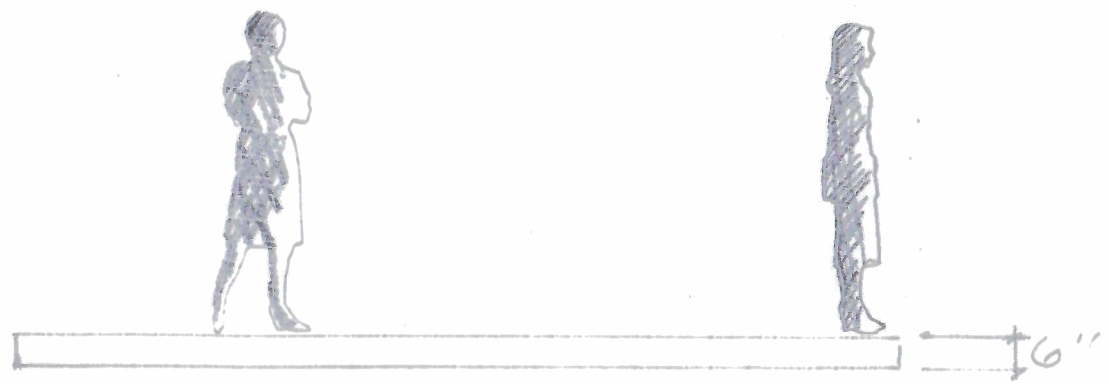
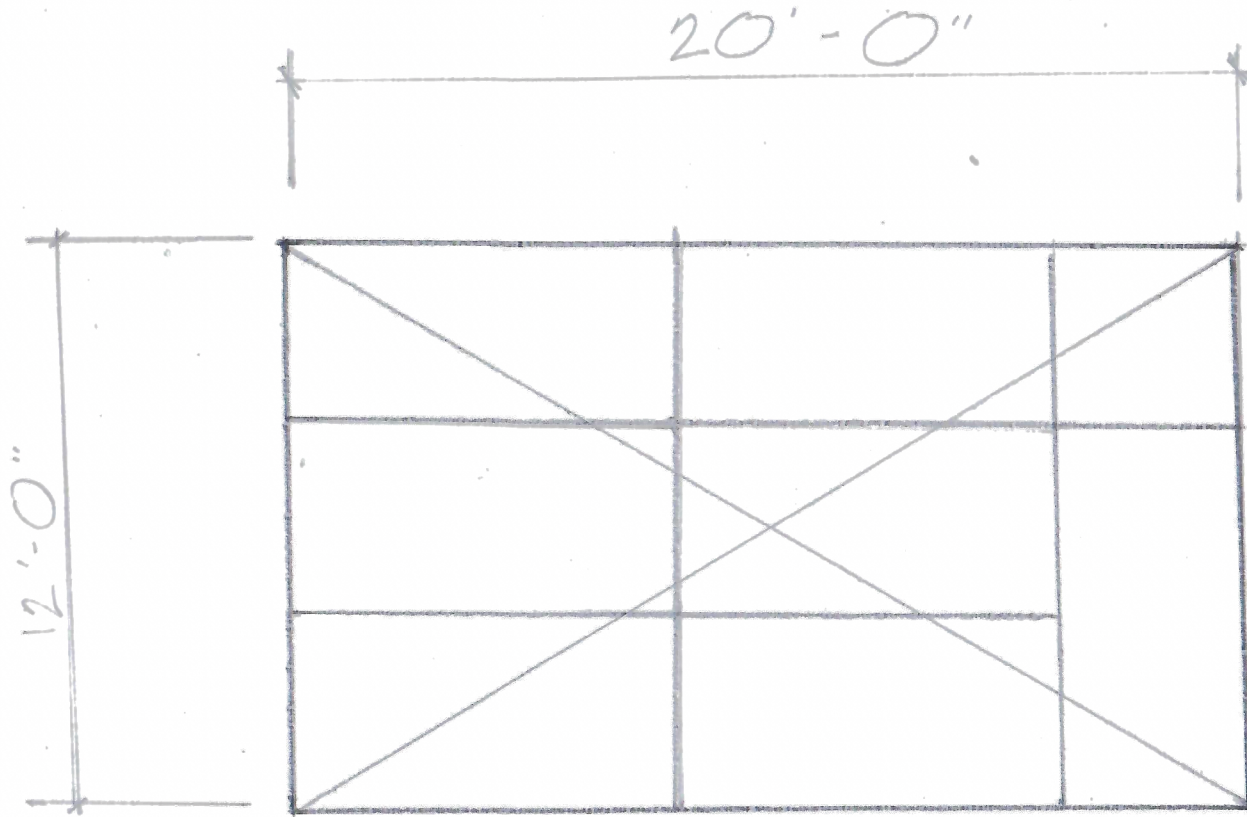


# CENTER PLATFORM

Scale  $\frac{1}{4}'' = 1'-0''$



# CENTER PLATFORM

Scale  $\frac{1}{4}'' = 1'-0''$

